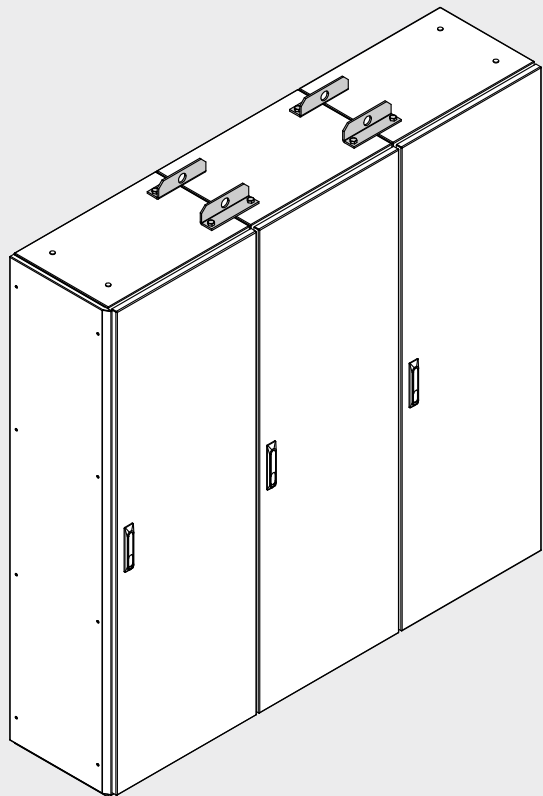
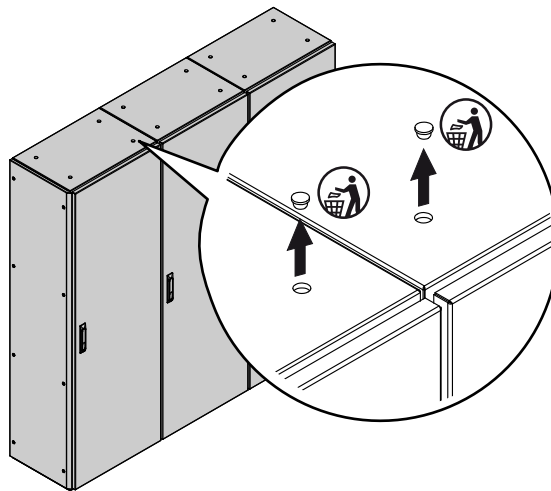
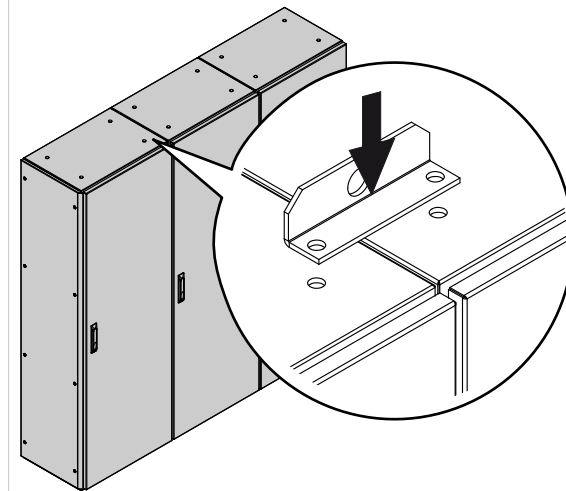
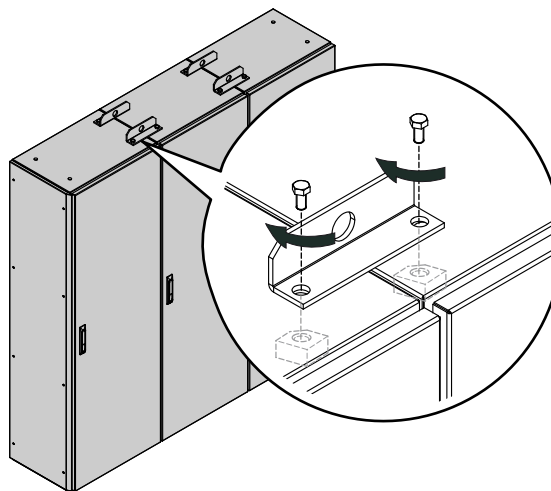
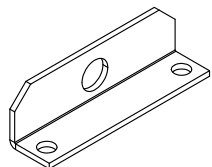


A**1****2****3****i**

X4



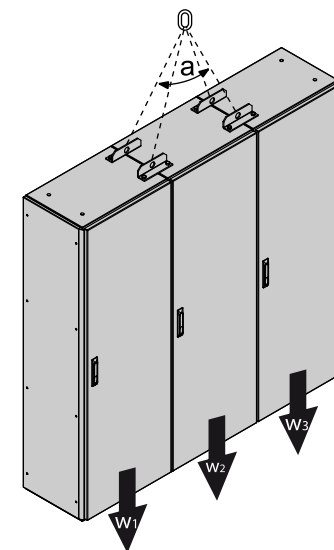
X8



X8



3 Nm
26,55 lb-in

i

$a = 60^\circ$
 $W_1 = 500 \text{ kg}$
 $W_2 = 1000 \text{ kg}$
 $W_3 = 500 \text{ kg}$